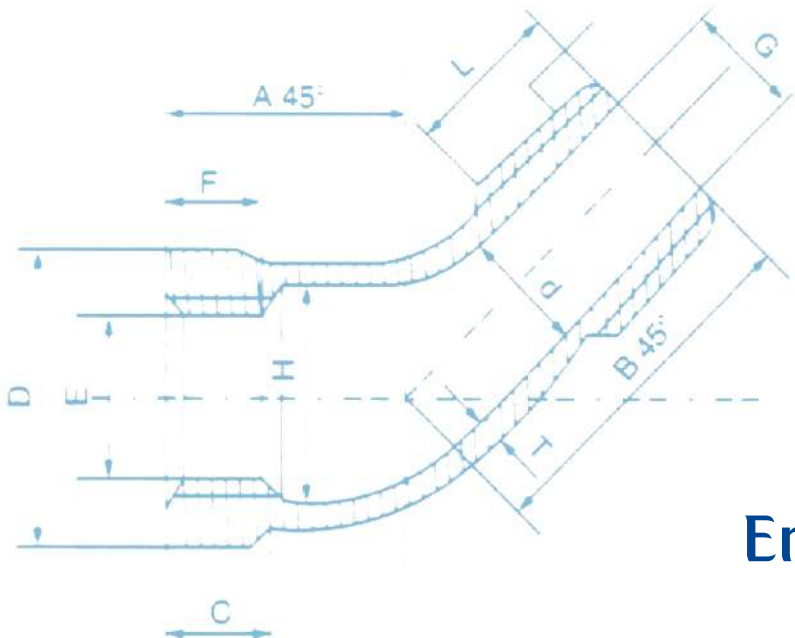




EMIRERRI



Manufacturers of : Butt Weld Pipe Fitting & Forged Steel Fittings
Exporters of : Seamless / Welded Steel Pipes & Tubes



**Emirerri Steel Manufacturer
Private Limited**

About Us

Emirerri Steel is a Leading Manufacturer and Extensive Stockholder of piping products for the Oil, Gas, Petrochemical and Nuclear Industries, across globe.

Emirerri Steel is the Manufacturer of the following products – Butt-weld Fittings, Forged Fittings, Compression Fittings, Outlets, Flanges, Long Radius Bends in materials like Stainless Steel, Carbon Steel, Alloy Steel, Duplex & Super Duplex Steel, Nickel Alloys etc. We also manufacture and supply non-standard items in any material to customer's specifications.

We are committed to serve your organization's sourcing needs of the above products which are further strengthened by our well-established in-house infrastructure capabilities and capacities. We even have a comprehensive stock of raw material and finished products.

We are growing organization having strong work force of skilled, experienced and qualified employees with the objective to provide quality products and services. We are keen listeners to our customers that enables us to live upto market expectations of today and tomorrow – through product customization and development.

Our Values

To fulfill our most valuable assets – clients' needs through employment skilled people, technology and equipment.

Why Emirerri Steel?

Emirerri is a renowned name in India in steel manufacturing for its products' quality, transparent dealings and transactions of our Stainless steel, Carbon Steel & Alloy Steel Products.

Specialties that make us a profitable business partner for our clients are:

- Cost-effective rates
- Customized packaging
- Easy payment modes
- Superior quality products
- Timely delivery of products
- Customized solution
- Customer focused approach
- Good Financial Position & TQM
- Timely delivery schedule
- Experience and specialty in work

Our Vision :

Bring world class capabilities to promote commercial arrangements and deliver our customers' glocalised needs.

Our Mission :

Provide technically sound solutions and create additional value in mutual interest with our customers resulting in being a preferred Stockists & Suppliers within the Stockists & Suppliers industry.



Our products are widely used in petroleum, chemical, gas, papermaking, electric power, shipbuilding, metallurgy, food, machine, water treatment and other fields.

STANDARDS

Standard Code	Standard Name	Standard Code	Standard Name
ASME SA-403	Wrought Austenitic Stainless Steel Piping Fittings	GOST 17375	Steel Butt-welding Pipe Fittings, Elbows
ASME B-16.9	Factory-Made wrought steel pipe fittings	GOST 17376	Steel Butt-welding Pipe Fittings, tees
ASME SA-234	Carbon and Alloy Steel Pipe Fittings	GOST 17378	Steel Butt-welding Pipe Fittings, reducers
ASME SA-420	Forged Carbon and Alloy Steel Pipe Fittings	GOST 17379	Steel Butt-welding Pipe Fittings, Caps
ASME B16.11	Socket-welding and Threaded Forging Fittings	GOST 12820	Steel Flange
ASME B16.28	Wrought Steel But-welding short radius elbows	GOST 12821	Steel Flange
ASME B16.25	Butt-welding Ends	DIN 2605	Steel Butt-welding Pipe Fittings
ASTM A312/A315M	Cold Worked Austenitic Stainless Steel Pipes	DIN 2615	Steel Butt-welding Pipe Fittings, Tees
ASME/ASTM A269	Stainless Steel Tubing	DIN 2616	Steel Butt-welding Pipe Fittings, Reducers
ASTM A999/A999M	Alloy and Stainless Steel Pipes	DIN 2617	Steel Butt-welding Pipe Fittings, Caps
ASME/ANSI B36.19M	Stainless Steel Pipe	EN 10253	Steel Pipe Fittings
ASTM A105/A105M	Carbon Steel Forgings for Piping Applications	EN 1092-1	Steel Flange
ASTM A106/A106M	High Temperature Seamless Carbon Steel Pipe	GB/T 14976	Stainless Steel Pipe
ASTM A335/A335M	Seamless Alloy-Steel Pipe for High-Temperature	GB/T 12459	Steel Butt-welding Seamless Fittings
ASTM 182/A182M	Forged Alloy and Stainless Fittings, Flanges	GB/T 13401	Steel Plate Butt-welding Pipe Fittings
ASTM 350/A350M	Carbon and Low Alloy Steel Forgings	GB/T 14383	Forged Steel Socket-welding Pipe Fittings
ASTM A815/A815M	Stainless Steel Pipe Fittings	GB/T 14626	Forged Steel threaded Pipe Fittings
ASTM A515/A515M	Carbon Steel Plate	SH 3065	Specification for Tube Furnace Sharp Bend
MSS SP-43	Wrought Stainless Steel Butt-welding Fittings	SH 3406	Steel Pipe Flanges for Petrochemical Industry
MSS SP-75	Forging Butt-welding fittings	SH 3408	Steel Butt-welding Seamless Fittings
MSS SP-79	Socket-welding reducing Inserts	SH 3409	Steel Plate Butt-welding Pipe Fittings
MSS SP-83	Stock-welding and threaded Unions	SH 3410	Forged Steel Stock-welding Fittings
MSS SP-95	Swaged nipples and round plugs	ISO3419	Non-Alloy Steel and Alloy Steel Butt-welding Fittings
MSS SP-97	Forged Outlet	ISO 5251	Stainless Steel Butt-welding Fittings

MATERIAL CROSS REFERENCE LIST

STAINLESS STEEL (AUSTENITIC)

USA	Japan	Germany		U.K.		France	Italy	Spain	Sweden	China
AISI/SAE	JIS	W-nr.	DIN	BS	EN	AFNOR	UNI	UNE	SS	GB
304L	SUS304L	1.4306	X2CrNi1911	304S11	–	Z2CN18.10	X2CrNi18.11	–	2352	OCr19Ni10
304	SUS304	1.4350	X5CrNi189	304S11	58E	Z6CN18.09	X5CrNi1810	F.3551 / F.3541 F.3504	2332	OCr18Ni9
303	SUS303	1.4305	X12CrNiS188	303S21	58M	Z10CNF18.09	X10CrNiS18.09	F.3508	2346	1Cr18Ni9MoZr
–	SUS304L	–	–	304C12	–	Z3CN19.10	–	–	2333	–
304L	SCS19	1.4306	X2CrNi189	304S12	–	Z2CrNi1810	X2CrNi18.11	F.3503	2352	–
301	SUS301	1.4310	X12CrNi177	–	–	Z12CN17.07	X12CrNi1707	F.3517	2331	Cr17Ni7
304LN	SUS304LN	1.4311	X2CrNiN1810	304S62	–	Z2CN18.10	–	–	2371	–
316	SUS316	1.4401	X5CrNiMo1810	316S16	58J	Z6CND17.11	X5CrNiMo1712	F.3543	2347	OCr17Ni11Mo2
–	SCS13	1.4308	G-X6CrNi189	304C15	–	Z6CN18.10M	–	–	–	–
–	SCS14	1.4408	G-X6CrNiMo1810	316C16	–	–	–	F.8414	–	–
–	SCS22	1.4581	G-X5CrNiMoNb1810	318C17	–	Z4CNDNb1812M	XG8CrNiMo1811	–	–	–
316LN	SUS316LN	1.4429	X2CrNiMoN1813	–	–	Z2CND17.13	–	–	2375	OCr17Ni13Mo
316L	–	1.4404	–	316S13	–	Z2CND17.12	X2CrNiMo1712	–	2348	–
316L	SCS16 / SUS316L	1.4435	X2CrNiMo1812	316S13	–	Z2CND17.12	X2CrNiMo1712	–	2353	OCr27Ni12Mo3
316	–	1.4436	–	316S13	–	Z6CND18-12-03	X8CrNiMo1713	–	2343, 2347	–
317L	SUS317L	1.4438	X2CrNiMo1816	317S12	–	Z2CND19.15	X2CrNiMo1816	–	2367	OOCr19Ni13Mo
UNS V 0890A	–	1.4539	X1NiCrMo	–	–	Z6CNT18.10	–	–	2562	–
321	SUS321	1.4541	X10CrNiTi189	321S12	58B	Z6CNT18.10	X6CrNiTi1811	F.3553 F.3523	2337	1Cr18Ni9Ti
347	SUS347	1.4550	X10CrNiNb189	347S17	58F	Z6CNNb18.10	X6CrNiNb1811	F.3552 F.3524	2338	1Cr18Ni11Nb
316Ti	–	1.4571	X10CrNiMoTi1810	320S17	58J	Z6CNDT17.12	X6CrNiMoTi1712	F.3535	2350	Cr18Ni12Mo2T
318	–	1.4583	X10CrNiMoNb1812	–	–	Z6CNDNb1713B	X6CrNiMoNb1713	–	–	Cr17Ni12Mo3Mb
309	SUH309	1.4828	X15CrNiSi2012	309S24	–	Z15CNS20.12	X6CrNi2520	–	–	1Cr23Ni13
310S	SUH310	1.4845	X12CrNi2521	310S24	–	Z12CN2520	X6CrNi2520	F.331	2361	OCr25Ni20
308	SCS17	1.4406	X10CrNi18.08	–	58C	Z1NCDU25.20	–	F.8414	2370	–
–	–	1.4418	X4CrNiMo165	–	–	Z6CND16-04-01	–	–	–	–
17-7PH	–	1.4568 1.4504	–	316S111	–	Z8CNA17-07	X2CrNiMo1712	–	–	–
NO8028 S31254	–	1.4563	–	–	–	Z1NCDU31-27-03 Z1CNDU20-18-06AZ	–	–	2584 2378	–
321	SUS321	1.4878	X12CrNiTi189	321S32	58B, 58C	Z6CNT18.12B	X6CrNiTi18 11	F.3523	–	1Cr18Ni9Ti

STAINLESS STEEL (FERRITIC, MARTENSITIC)

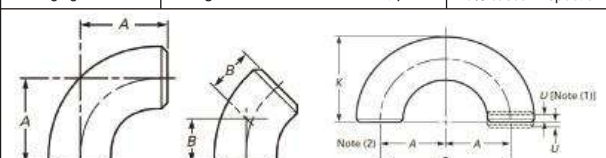
USA	Japan	Germany		U.K.		France	Italy	Spain	Sweden	China
AISI/SAE	JIS	W-nr.	DIN	BS	EN	AFNOR	UNI	UNE	SS	GB
403	SUS403	1.4000	X7Cr13	403S17	–	Z6C13	X6Cr13	F.3110	2301	OCr13 / 1Cr12
–	–	1.4001	X7Cr14	–	–	–	–	F.8401	–	–
416	SUS416	1.4005	X12CrS13	416S21	–	Z11CF13	X12CrS13	F.3411	2380	–
410	SUS410	1.4006	X10Cr13	410S21	56A	Z10C14	X12Cr13	F.3401	2302	1Cr13
430	SUS430	1.4016	X8Cr17	430S15	60	Z8C17	X8Cr17	F.3113	2320	1Cr17
–	SCS2	1.4027	G-X20Cr14	420C29	56B	Z20C13M	–	–	–	–
–	SUS420J2	1.4034	X46Cr13	420S45	56D	Z40CM	X40Cr14 Z38C13M	F.3405	2304	4Cr13
405	–	1.4003	–	405S17	–	Z8CA12	X6CrAl13	–	–	–
420	–	1.4021	–	420S37	–	Z8CA12	X20Cr13	–	2303	–
431	SUS431	1.4057	X22CrNi17	431S29	57	Z15CNi6.02	X16CrNi16	F.3427	2321	1Cr17Ni2
430F	SUS430F	1.4104	X12CrMoS17	–	–	Z10CF17	X10CrS17	F.3117	2383	Y1Cr17
434	SUS434	1.4113	X6CrMo17	434S17	–	Z8CD17.01	X8CrMo17	–	2325	1Cr17Mo
CA6-NM	SCS5	1.4313	X5CrNi134	425C11	–	Z4CND13.4M	(G)X6CrNi304	–	2385	–
405	SUS405	1.4724	X10CrAl113	403S17	–	Z10C13	X10CrAl112	F.311	–	OCr13Al
430	SUS430	1.4742	X10CrAl118	430S15	60	Z10CAS18	X8Cr17	F.3113	–	Cr17
HNV6	SUH4	1.4747	X80CrNiSi20	443S65	59	Z80CSN20.02	X80CrSiNi20	F.320B	–	–
446	SUH446	1.4762	X10CrAl124	–	–	Z10CAS24	X16Cr26	–	2322	2Cr25N
EV8	SUH35	1.4871	X53CrMnNiN219	349S54	–	Z52CMN21.09	X53CrMnNiN219	–	–	5Cr2Mn9Ni4N
S44400	–	1.4521	X1CrMoTi182	–	–	–	–	–	2326	–
–	–	1.4922	X20CrMoV12-1	–	–	–	X20CrMoNi1201	–	2317	–
630	–	1.4542	–	–	–	Z7CNU17-04	–	–	–	–

CARBON STEEL

USA	Japan	Germany		U.K.		France	Italy	Spain	Sweden	China
AISI/SAE	JIS	W-nr.	DIN	BS	EN	AFNOR	UNI	UNE	SS	GB
A570.36	STKM 12A STKM 12C	1.0038	RSt.37-2	4360 40 C	--	E 24-2 Ne	--	--	1311	15
1015	--	1.0401	C15	080M15	--	CC12	C15, C16	F.111	1350	15
1020	--	1.0402	C22	050A20	2C	CC20	C20, C21	F.112	1450	20
--	--	1.0722	10SPb20	--	--	10PbF2	CF10Pb20	10SPb20	--	--
12L14	--	1.0737	9SMnPb36	--	--	S300Pb	CF9SMnPb36	12SMnP35	1926	--
1015	S15C	1.1141	Ck15	080M15	32C	XC12	C16	C15K	1370	15
1025	S25C	1.1158	Ck25	--	--	--	--	--	--	25
A572-60	--	1.8900	StE380	4360 55 E	--	--	FeE390KG	--	2145	--
1035	--	1.0501	C35	060A35	--	CC35	C35	F.113	1550	35
1045	--	1.0503	C45	080M46	--	CC45	C45	F.114	1650	45
1140	--	1.0726	35S20	212M36	8M	35MF4	--	F210G	1957	
1039	--	1.1157	40Mn4	150M36	15	35M5	--	--	--	40Mn
1335	SMn438(H)	1.1167	36Mn5		--	40M5	--	36Mn5	2120	35Mn2
1330	SCMn1	1.1170	28Mn6	150M28	14A	20M5	C28Mn	--	--	30Mn
1035	S35C	1.1183	Cf35	060A35	--	XC38TS	C36	--	1572	35Mn
1045	S45C	1.1191	Ck45	080M46	--	XC42	C45	C45K	1672	Ck45
1050	S50C	1.1213	Cf53	060A52	--	XC48TS	C53	--	1674	50
1055	--	1.0535	C55	070M55	9		C55	--	1655	55
1060	--	1.0601	C60	080A62	43D	CC55	C60	--	--	60
1055	S55C	1.1203	Ck55	070M55	--	XC55	C50	C55K	--	55
1060	S58C	1.1221	Ck60	080A62	43D	XC60	C60	--	1678	60Mn
1095	--	1.1274	Ck101	060A96	--	XC100	--	F.5117	1870	--



Emirerri uses timely calibrated tools to continually check the tolerance of all fittings. All dimensions are checked both by the operator and our quality control department to ensure the highest quality.

Control Plan for Quality Test										
Product	Elbow	No.	QC1-090101-06							
Name	Elbow	Dimension Standard	ASTM B 16.9-12							
Material Standard	A 234 WPB	Original Material Standard	A 106							
Material Request	Chemical Composition (%)									
	C	Mn	Si	Mo	S	P	Cr	Ni	Cu	V
	≤0.3	0.29-1.06	≥0.10	≤0.15	≤0.058	≤0.50	≤0.40	≤0.40	≤0.40	≤0.08
	Mechanical Property									
	T S (Mpa)			E/L (S%)			Y/S (Mpa)			
415-655			≥30			≥240				
Manufacture & Process	3.1 Mill Test Certificate									
	Process name	Process details & tools					Inspection method			
	Cutting	Saw (saw (machine))					10% casual Inspection			
	Forming	Hot forming (850±25OC)					10% casual Inspection			
	Rough Sizing	Hot process					10% casual Inspection			
	End Beveling	Beveling machine (37.5 ² +2.52 ²)					10% casual Inspection			
Quality Inspection	Surface rough process	Rub surface defect					10% casual Inspection			
	Surface treatment	Sand blasting & painting Surface quality according to ASTM B 16.9					10% casual Inspection			
	Size	According to ASTM B16.9					10% casual Inspection			
Marking & Packaging	Marking	Manufacturer name material heat No. size specification and so on					10% casual Inspection			
	Painting	According with client's requirement					10% casual Inspection			
	Packaging	Fumigation-free wooden cases, pallet					10% casual Inspection			
Sketch Pictures										

ALLOY STEEL

USA	Japan	Germany		U.K.		France	Italy	Spain	Sweden	China
AISI/SAE	JIS	W-nr.	DIN	BS	EN	AFNOR	UNI	UNE	SS	GB
A573-81	SM400A, SM400B SM400C	1.0144	St.44.2	4360 43 C	–	E28-3	–	–	1412	–
–	SM490A, SM490B SM490C	1.0570	St52-3	4360 50 B	–	E36-3	Fe52CFN	–	2132	–
5120	–	1.0841	St52-3	150M19	–	20MC5	Fe52	F.431	2172	–
9255	–	1.0904	55Si7	250A53	45	55S7	55Si8	56Si7	2085	55Si2Mn
9262	–	1.0961	60SiCr7	–	–	60SC7	60SiCr8	60SiCr8	–	–
ASTM 52100	SUJ2	1.3505	100Cr6	534A99	31	100C6	100Cr6	F.131	2258	Gr15, 45G
ASTM A204Gr.A	–	1.5415	15Mo3	1501-240	–	15D3	16Mo3KW	16Mo3	2912	–
4520	–	1.5423	16Mo5	1503-245-420	–	–	16Mo5	16Mo5	–	–
ASTM A350LF5	–	1.5622	14Ni6	–	–	16N6	14Ni6	15Ni6	–	–
ASTM A353	–	1.5662	X8Ni9	1501-509-510	–	–	X10Ni9	XBNI09	–	–
3135	SNC236	1.5710	36NiCr6	640A35	111A	35NC6	–	–	–	–
3415	SNC415(H)	1.5732	14NiCr10	–	–	14NC11	16NiCr11	15NiCr11	–	–
3415, 3310	SNC815(H)	1.5752	14NiCr14	655M13	36A	12NC15	–	–	–	–
8620	SNCM220(H)	1.6523	21NiCrMo2	805M20	362	20NCD2	20NiCrMo2	20NiCrMo2	2506	–
8740	SNCM240	1.6546	40NiCrMo22	311-Type 7	–	–	40NiCrMo2(KB)	40NiCrMo2	–	–
–	–	1.6587	17CrNiMo6	820A16	–	18NCD6	–	14NiCrMo13	–	–
5015	SCr415(H)	1.7015	15Cr3	523M15	–	12C3	–	–	–	15Cr
5140	SCr440	1.7045	42Cr4	–	–	–	–	42Cr4	2245	40Cr
5155	SUP9(A)	1.7176	55Cr3	527A60	48	55C3	–	–	–	20CrMn
–	SCM415(H)	1.7262	15CrMo5	–	–	12CD4	–	12CrMo4	2216	–
ASTM A182 F11, F12	–	1.7335	13CrMo4 4	1501-620Gr27	–	15CD3.5 15CD4.5	14CrMo45	14CrMo45	–	–
ASTM A182 F.22	–	1.7380	10CrMo910	1501-622 Gr31, 45	–	12CD9 12CD10	12CrMo9 12CrMo10	TU.H	2218	–
–	–	1.7715	14MoV63	1503-660-440	–	–	–	13MoCrV6	–	–
–	–	1.8523	39CrMoV13 9	897M39	40C	–	36CrMoV12	–	–	–
9840	–	1.6511	36CrNiMo4	816M40	110	40NCD3	38NiCrMo4(KB)	35NiCrMo4	–	–
4340	–	1.6582	34CrNiMo6	817M40	24	35NCD6	35NiCrMo6(KB)	–	2541	40CrNiMoA
5132	SCr430(H)	1.7033	34Cr4	530A32	18B	32C4	34Cr4(KB)	35Cr4	–	35Cr
5140	SCr440(H)	1.7035	41Cr4	530M40	18	42C4	41Cr4	42Cr4	–	40Cr
5115	–	1.7131	16MnCr5	(527M20)	–	16MC5	16MnCr5	16MnCr5	2511	18CrMn
4130	SCM420 SCM430	1.7218	25CrMo4	1717CDS110 708M20	–	25CD4	25CrMo4(KB)	55Cr3	2225	30CrMn
4137 4135	SCM432 SCCRM3	1.7220	34CrMo4	708A37	19B	35CD4	35CrMo4	34CrMo4	2234	35CrMo
4140 / 4142	SCM 440	1.7223	41CrMo4	708M40	19A	42CD4TS	41CrMo4	42CrMo4	2244	40CrMoA
4140	SCM440(H)	1.7225	42CrMo4	708M40	19A	42CD4	42CrMo4	42CrMo4	2244	42CrMo 42CrMnMo
–	–	1.7361	32CrMo12	722M24	40B	30CD12	32CrMo12	F.124.A	2240	–
6150	SUP10	1.8159	50CrV4	735A50	47	50CV4	50CrV4	51CrV4	2230	50CrVA
–	–	1.8509	41CrAlMo7	905M39	41B	40CAD6 40CAD2	41CrAlMo7	41CrAlMo7	2940	–

Products

Elbow/Bend

Production Range

Outside Diameter : Seamless Elbow (½" ~ 24")
ERW / Welded / Fabricated Elbow (½" ~ 72")

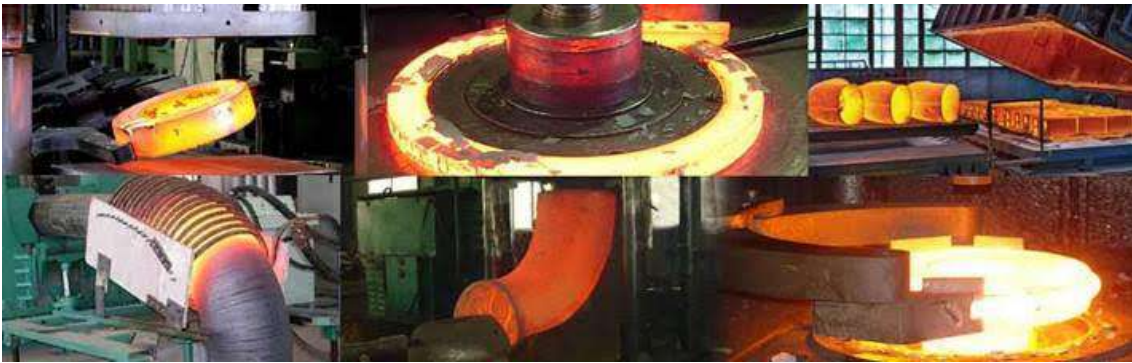
Wall Thickness : 3mm – 40mm / SCH5, SCH10, SCH20, SCH30, STD, SCH40, SCH60, SCH80, XS, SCH100, SCH120, SCH140, SCH160, XXS

Bending Radius : R=1D – 10D, 15D, 20D

Product's Angle : 5°–180° Elbows, 90° and 45° Long Radius Elbow,
180° Long Radius Returns, Short Radius Elbow and Returns

Manufacturing Standards

ASME B16.9, ANSI N16.28, MSS-SP-43, ASME B16.25, DIN 2605, GOST 17375, GOST 30753, EN10253-1, DIN10253-2, ISO3419, ISO5251





Material Grades

Stainless Steel

ASTM / ASME SA403 GR WP "S" / "W" / "WX"

304, 304L, 304H, 309, 310H, 316L, 316H, 317, 317L, 321, 321H, 904, 904L, 347, 347H.

Duplex Steel

ASTM / ASME SA815, UNS NO. S31803, S32205, S32550, S32750, S32760.

Carbon Steel

ASTM / ASME A234 WPB, WPC

ASTM/ASME A860, WPHY42, WPHY46, WPHY52, WPHY60, WPHY65 & WPHY70.

Alloy Steel

ASTM / ASME A234, WP1, WP5, WP9, WP11, WP12, WP22, WP23, WP91.

Low Temperature Carbon Steel

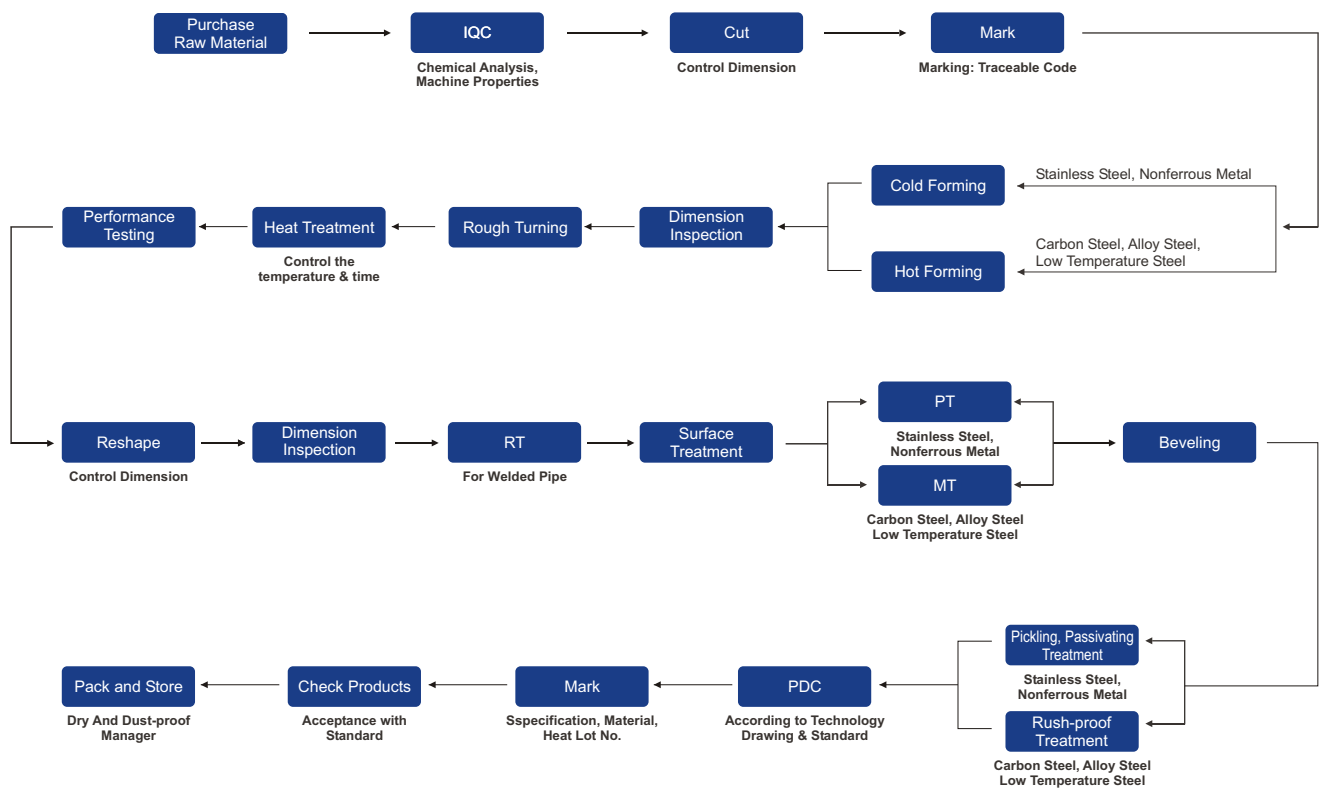
ASTM A420, WPL3 / 4A420WPL6



Products

TEE/CROSS

THE PRODUCTION & QUALITY CONTROL FLOW CHART FOR PIPE BUTT-WELDING FITTINGS



Production Range

Types : Equal Tee, Reducing Tee

Outside Diameter : Seamless Pipe Tee (1/2" ~ 24"),
ERW / Welded / Fabricated Pipe Tee (1/2" ~ 72")

Wall Thickness : 3mm - 40mm / SCH5, SCH10, SCH20, SCH30, STD, SCH40,
SCH60, SCH80, XS, SCH100, SCH120, SCH140, SCH160, XXS

Manufacturing Standards

ASME B16.9, MSS-SP-43, ASME B16.25, DIN2615, GOST17376, EN10253-1,
DIN10253-2, ISO3419, ISO5251

Material Grades

Stainless Steel

ASTM / ASME SA403 GR WP "S" / "W" / "WX" 304, 304L, 304H, 309, 310H, 316L,
316H, 317, 317L, 321, 321H, 904, 904L, 347, 347H.

Duplex Steel

ASTM / ASME SA815 UNS NO. S31803, S32205, S32550, S32750, S32760.

Carbon Steel

ASTM / ASME A234 WPB, WPC

ASTM / ASME A860 WPHY42, WPHY46, WPHY52, WPH60, WPHY65 & WPHY70

Alloy Steel

ASTM / ASME A234 WP1, WP5, WP9, WP11, WP12, WP22, WP23, WP91

Low Temperature Carbon Steel

ASTM A420 WPL3 / A420WPL6



Products

Concentric Reducer & Eccentric Reducer

Outside Diameter : Seamless Pipe Reducer (1/2"-24"),

ERW / Welded / Fabricated Pipe Reducer (1/2" -72")

Types : Concentric Reducer, Eccentric Reducer

Wall Thickness : 3mm - 40mm / 40mm / SCH5, SCH10, SCH20, SCH30, STD,
SCH40, SCH60, SCH80, XS, SCH100, SCH120, SCH140,
SCH160, XXS

Manufacturing Standards

ASME B16.9, MSS-SP-43, ASME B16.25, DIN2616, GOST17378, EN10253-1,
DIN10253-2, ISO3419, ISO5251



Cap. Stub End



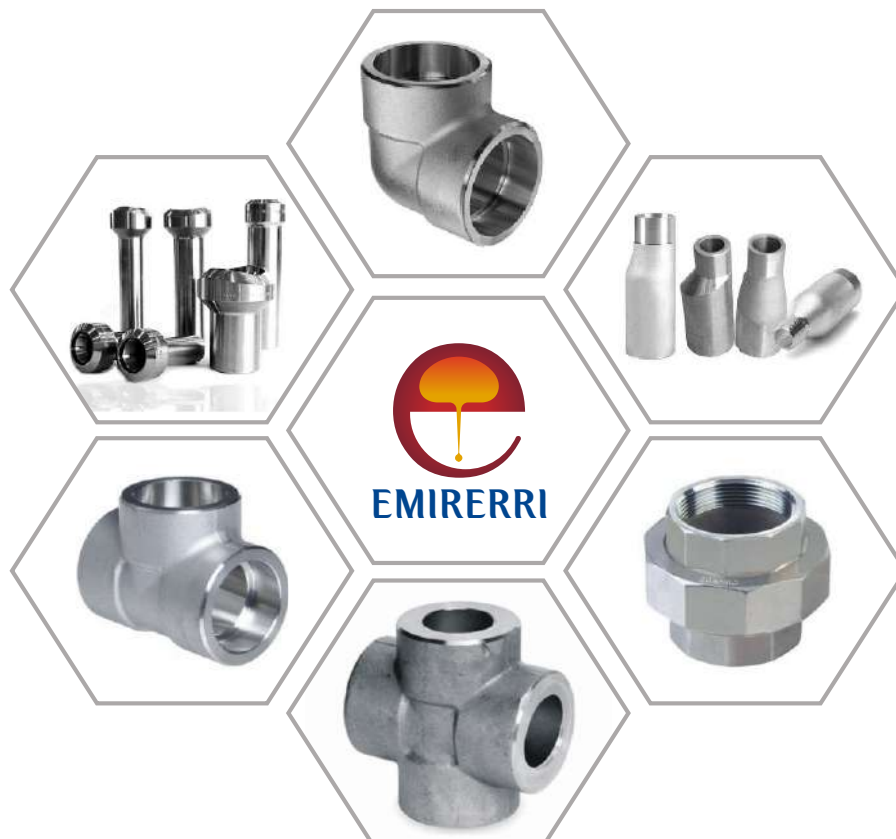
Products

Forged Fitting

Pressure Class	2000LBS, 3000LBS, 6000LBS
Products	<ul style="list-style-type: none"> ✿ Elbow 90 Degree ✿ Elbow 45 Degree ✿ Tee ✿ Union ✿ Street Elbow ✿ Coupling ✿ Half Coupling ✿ Reducing Coupling ✿ Cap ✿ Hex Head Bushing ✿ Hex Head Plug ✿ Square Head Plug ✿ Outlet ✿ Round Head Plug ✿ Hex Nipple ✿ Swage Nipple
Dimension Specifications	ASME 16.11, MSS SP-79, 83, 95, 97, BS 3799
Size	1/8"~4" (DN6~DN100)

Material Grades:

Stainless Steel – ASTMA182, F304, F304L, F306, F316L, F304H, F309S, F309H, F310S, F310H, F316TI, F316H, F316LN, F317, F317L, F321, F321H, F11, F22, F91, F347, F347H, F904L, ASTMA312/A403, TP304, TP304L, TP316, TP316L, CASTM A105, A350 LF2



Products

Flange

- Type** : Threaded Flange, Socket Weld Flange, Lap Joint Flange, Slip On Flange, Weld Neck Flange, Plate Flange, Orifice Flange, Figure 8, Flange, Oval, Flange, Blind
- Size** : 1/2"-72"
- Class** : 150#, 300#, 400#, 600#, 900#, 1500#, 2500#
- Material** : Stainless Steel, Carbon Steel, Alloy Steel

Standards

ASTM A182 : F1,F5,F9,F11,F304/304L,F316/316L,F317L,F321/321H,F44,F51,F52

ASTM A350 : LF1,LF2,LF3,LF4

ASTM A105

EN10272 : 1.4301, 1.4306, 1.4307, 1.4401, 1.4404, 1.4541, 1.4571

Standard : ANSI, API, AWWA, DIN, EN, BS, JIS

ANSI : ANSI B16.5, ANSI B16.47, MSS SP44, ANSI B16.36, ANSI B16.48

DIN : DIN2527, DIN2566, DIN2573, DIN2576, DIN2641, DIN2642, DIN2655, DIN2656, DIN2627, DIN2628, DIN2629, DIN 2631, DIN2632, DIN2633, DIN2634, DIN2635, DIN2636, DIN2637, DIN2638, DIN2673

B.S : BS4504,BS4504,BS1560,BS10
EN1092-1,BS4504,JIS

- Testing** : PMI Test
Dimension Measure
Visual Check
Mechanical Test
Intergranular Corrosion
Hardness Test



Blind



Welded Neck Flange



Slip On Flange

THE PRODUCTION & QUALITY CONTROL FLOW CHART FOR FLANGES

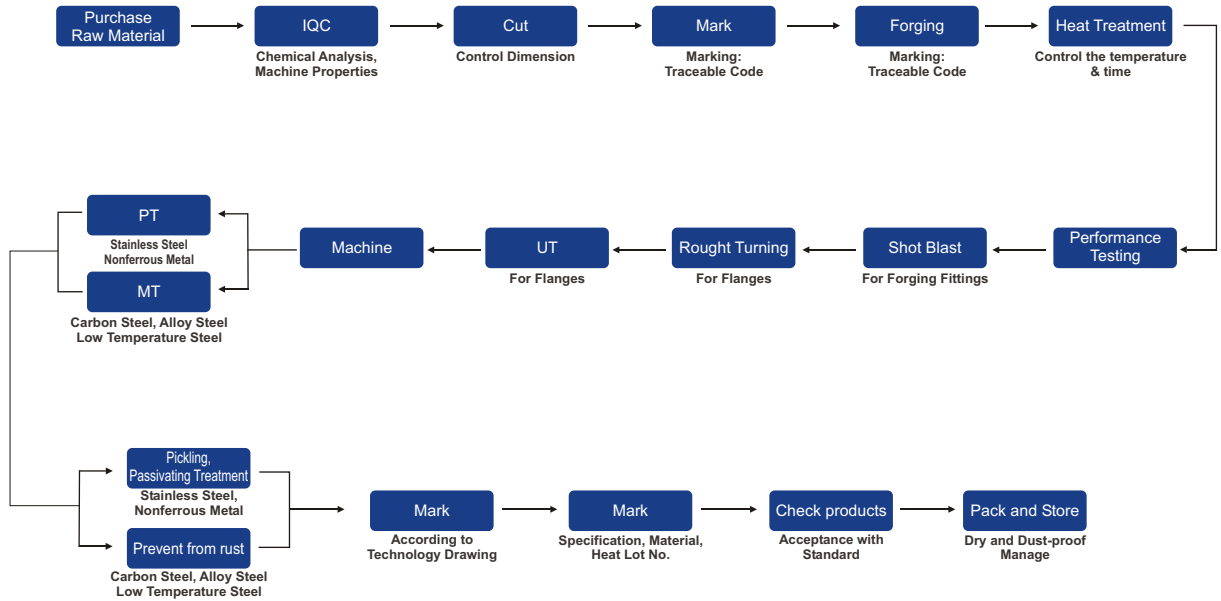


Plate Flange



Socket Welding Flange



Threaded Flange

Products

PIPE

Manufacture Process

Seamless Pipe : Cold Drawn / Cold Rolled / Hot Rolled

Welded Pipe : Cold Forming / Welded / EFW

Production Range : DN15-DN900, SCH5S-XXS
DN15-DN1800, SCH5S-XXS

Specification & Standard :

ASTM / ASME SA312GR. TP304, 304L, 304H, 321, 310S, 310H, 316, 316L, 347, 347H

ASTM / ASME SA358CL 1 & CL3 GR. 304, 304L, 304H, 310S, 310H, 316, 316L, 347, 347H

Duplex ASTM / ASME SA790 UNS NO S31803, S32205 and etc.

ASTM A53GR. A & B

ASTM A106GR. A, B & C.

API5LGR. B, X42, X46, X52, X60, X65 & X70 - PSL1 & PSL2.

PLATES & SHEETS

Stainless Steel Sheets, Plates & Coils

Size : 1000mm to 3000mm Width X 2500mm/5000mm/10000mm Length & Coil Form

Thickness : 1mm to 200mm

Specifications : ASTM/ASME SA 240 Grade. 201, 202, 304, 304L, 316, 316L, 316Ti, 321, 347, 317, 310S, 904L, 410, 420, 430, 440.

Shipbuilding Plate

Size : 6' x 30' | 8' x 30'

Thickness : 6 mm to 100 mm

Specifications : ABS / DNV GR A, B, D, E, AH32, DH32, EH32, FH32, AH36, DH36, EH36, FH36

Carbon Steel Sheet, Plates & Coils

Size : 1000mm to 3000mm Width X 2500mm/5000mm/10000mm Length & Coil Form

Thickness : 1mm to 200mm

Specifications : ASTM/ASME A516/517 GR. X42/46/52/56/60/70, IS2062, IS2002

Duplex/Super Duplex Sheet, Plates & Coils

Size : 1000mm to 3000mm Width X 2500mm/5000mm/10000mm Length & Coil Form

Thickness : 1mm to 200mm

Specifications : ASTM/ASME SA 240 UNS NO. S31803, S32205, S32550, S32750, S32760

Quality

Quality is Emirerri's priority. In our philosophy, quality is not only the durability and defect free nature of product but also its utility and applicability to satisfy the sole purpose for which it was bought. Thus, we are committed to produce products, which can satisfy different requirements and purposes. We have adopted stringent quality control measures to ensure superior quality and zero defect products. Quality is checked at different stages of production and supply and the raw material we use is sourced only from reliable and established vendors.

The bitterness of poor quality remains long after low pricing is forgotten. So, we follow strong measure of quality checking.

We are able to maintain high quality standards through our committed personnel and sound infrastructure. To ensure the quality of each material, we provide Materials Test Certificate along with supply. Our team of experts maintain a vigil on the quality of the products. Every single piece is attached with test certificates and reports. Emirerri aims to continually improve the quality, to serve our clients better.

Quality Objectives:

We consider three elements to be essential for the overall quality of the company services:

- Independence & Objectivity.
- Technical & Scientific Quality.
- Practical Benefits to Clients.



Quality Control:

We exercise stringent quality control measures to ensure accurate dimensions and mechanical properties of our products. Our products are approved by quality assurance system by passing through following processes and quality systems:

- Certification and Supplementary Test
- Finishing and Marketing.
- Material Control System
- Machining and Dimensional Control
- Process Control System

Quality Assurance:

The quality assurance system is guided by principles that support our unique working culture which incorporates respect, self-management, open communication and creativity.

Principles:

- Strive to have the best quality and technologies in our industry.
- Care about our client's time and money.
- Honor our words and client faith on us.
- Act with integrity and commitments.

Our Quality Standards:

Our quality standards are above par as we understand our Customers requirement and supply the same after a series of Quality Assurance and Quality Control at Emirerri Steel. Across the entire business supply chain, operations and marketing appropriate quality assurance systems are in place to ensure correctness at each step of the business cycle.

Packaging




GOVERNMENT OF INDIA
MINISTRY OF CORPORATE AFFAIRS
 Central Registration Centre

Certificate of Incorporation

[Pursuant to sub-section (2) of section 7 of the Companies Act, 2013 (18 of 2013) and rule 18 of the Companies (Incorporation) Rules, 2014]

I hereby certify that EMIRERRI STEEL MANUFACTURER PRIVATE LIMITED is incorporated on this Twenty first day of September Two thousand seventeen under the Companies Act, 2013 (18 of 2013) and that the company is limited by shares.

The Corporate Identity Number of the company is U74999MH2017PTC299984.

The Permanent Account Number (PAN) of the company is **AAECE7948L**.

Given under my hand at Manesar this Twenty first day of September Two thousand seventeen.


 Digital Signature Certificate
 Mrs. ANJALI POKHRIYAL

For and on behalf of the Jurisdictional Registrar of Companies
 Registrar of Companies
 Central Registration Centre

Disclaimer: This certificate only evidences incorporation of the company on the basis of documents and declarations of the applicant(s). This certificate is neither a license nor permission to conduct business or solicit deposits or funds from public. Permission of sector regulator is necessary wherever required. Registration status and other details of the company can be verified on www.mca.gov.in

Mailing Address as per record available in Registrar of Companies office:
 EMIRERRI STEEL MANUFACTURER PRIVATE LIMITED
 608, 6th Floor, JK Chamber,, Plot No. 76, Sector-17, Vashi,, Navi Mumbai,
 Mumbai City, Maharashtra, India, 400703

* as issued by the Income Tax Department


QRO
 QUALITY RESEARCH ORGANIZATION

Certificate of Registration

This is to certify that

Emirerri Steel Manufacturer Private Limited

OFFICE NO 23, 3RD FLOOR, ANAND BHAVAN, 290 SBS ROAD, FORT, MUMBAI - 400001, MAHARASHTRA, INDIA

has been independently assessed by QRO and is compliant with the requirement of:

ISO 9001:2015
Quality Management System

For the following scope of activities:

EXPORTERS & MANUFACTURER OF STEEL MATERIALS

Date of Certification: 11th January 2023 2nd Surveillance Audit Due: 10th January 2025
 1st Surveillance Audit Due: 10th January 2024 Certificate Expiry: 10th January 2026





 Head of Certification

Validity of this certificate is subject to annual surveillance audits to be done successfully on or before 30 days from date of the audit. If a non-conformance audit is not allowed to be conducted, this certificate shall be suspended / withdrawn. The validity of this certificate can be verified at www.qro.org. This certificate of registration remains the property of QRO Certification LLP and shall be returned immediately upon request.

India Office | QRO Certification LLP
 342, 3rd Floor, Anand Bhavan, Near Panchsheel Road, Fort, Mumbai, India-400001 (MUMBAI)
 Website: www.qro.org, E-mail: info@qro.org

Quality Policy

“Manufacturer of butt weld pipe fittings & forged pipe fitting, and Exporter of Pipes, tubes all types / Specification”

Emirerri products shall work towards a common goal of achieving **Total Customer Satisfaction**

With quality, speed & cost benefit while meeting customer requirements. This responsibility & **commitment** is practiced and communicated by top Management through:

Implementation of a policy, which meets the Quality Standards ISO 9001:2015 and supports the organization's purpose;

Empowering division, teams, and staff interact to deliver products which meet Customer needs, and also provide **continual improvement** as documented by their Quality objectives.

Also meeting **Statutory and Regulatory requirements**;
 Review of the suitability of quality policy and procedures.

FOR

Emirerri Steel Manufacturer Private Limited


 Director

GOVERNMENT OF INDIA
 MINISTRY OF MICRO, SMALL & MEDIUM ENTERPRISES
उद्योग आधार Udyog Aadhaar

A

Udyog Aadhaar Registration Certificate

Udyog Aadhaar Number	UDY15A000050																								
Name of Enterprise	EMIRERRI STEEL MANUFACTURER PRIVATE LIMITED																								
Location of Enterprise																									
<table border="1"> <tr> <th>ICD Code</th> <th>ICD Description</th> <th>ICD Category</th> <th>ICD Sub-Category</th> <th>ICD Code</th> <th>ICD Description</th> <th>ICD Category</th> <th>ICD Sub-Category</th> </tr> <tr> <td>25110</td> <td>Manufacture of steel</td> <td>2511</td> <td>Manufacture of steel</td> <td>25110</td> <td>Manufacture of steel</td> <td>2511</td> <td>Manufacture of steel</td> </tr> </table>	ICD Code	ICD Description	ICD Category	ICD Sub-Category	ICD Code	ICD Description	ICD Category	ICD Sub-Category	25110	Manufacture of steel	2511	Manufacture of steel	25110	Manufacture of steel	2511	Manufacture of steel	<table border="1"> <tr> <th>ICD Code</th> <th>ICD Description</th> <th>ICD Category</th> <th>ICD Sub-Category</th> </tr> <tr> <td>25110</td> <td>Manufacture of steel</td> <td>2511</td> <td>Manufacture of steel</td> </tr> </table>	ICD Code	ICD Description	ICD Category	ICD Sub-Category	25110	Manufacture of steel	2511	Manufacture of steel
ICD Code	ICD Description	ICD Category	ICD Sub-Category	ICD Code	ICD Description	ICD Category	ICD Sub-Category																		
25110	Manufacture of steel	2511	Manufacture of steel	25110	Manufacture of steel	2511	Manufacture of steel																		
ICD Code	ICD Description	ICD Category	ICD Sub-Category																						
25110	Manufacture of steel	2511	Manufacture of steel																						
<table border="1"> <tr> <th>ICD Code</th> <th>ICD Description</th> <th>ICD Category</th> <th>ICD Sub-Category</th> </tr> <tr> <td>25110</td> <td>Manufacture of steel</td> <td>2511</td> <td>Manufacture of steel</td> </tr> </table>	ICD Code	ICD Description	ICD Category	ICD Sub-Category	25110	Manufacture of steel	2511	Manufacture of steel	<table border="1"> <tr> <th>ICD Code</th> <th>ICD Description</th> <th>ICD Category</th> <th>ICD Sub-Category</th> </tr> <tr> <td>25110</td> <td>Manufacture of steel</td> <td>2511</td> <td>Manufacture of steel</td> </tr> </table>	ICD Code	ICD Description	ICD Category	ICD Sub-Category	25110	Manufacture of steel	2511	Manufacture of steel								
ICD Code	ICD Description	ICD Category	ICD Sub-Category																						
25110	Manufacture of steel	2511	Manufacture of steel																						
ICD Code	ICD Description	ICD Category	ICD Sub-Category																						
25110	Manufacture of steel	2511	Manufacture of steel																						

Official Address of Enterprise: UDY 15A000050, ANAND BHAVAN, 290 SBS ROAD, FORT, MUMBAI - 400001
 District: MUMBAI CITY State: MAHARASHTRA PIN: 400001
 Mobile No: 0224154441 Email: emirerri@emirerri.com

Date of Commencement: 21/09/2017
 Enterprise Activity: EMIRERRI STEEL MANUFACTURER PRIVATE LIMITED
 Enterprise Type: Manufacturing
 Enterprise Registration Number: UDY15A000050

ICD Code: 25110 ICD Description: Manufacture of steel ICD Category: 2511 ICD Sub-Category: Manufacture of steel
 ICD Code: 25110 ICD Description: Manufacture of steel ICD Category: 2511 ICD Sub-Category: Manufacture of steel

Date of Issuance: 02/12/2017 Date of Expiry: 31/01/2019

This certificate is issued to the registered enterprise for the purpose of registration of the enterprise under the Udyam Registration Scheme.

Ministry of MSME, Government of India, New Delhi. Website: www.udyam.gov.in


Bombay Chamber of Commerce and Industry
 Maharashtra Chamber Building, Station Road, Mumbai 400 001

Membership Certificate

This is to certify that

Emirerri Steel Manufacturer Pvt. Ltd.

has been elected as a Member of the Bombay Chamber of Commerce and Industry with effect from **February 2018**.

Membership Certificate No. **BC/7170/O/2018**


 DIRECTOR GENERAL


JSRS
 joint supplier registration system

CERTIFICATE OF APPROVAL

Awarded to

EMIRERRI STEEL MANUFACTURER PRIVATE LIMITED

As an Approved Supplier to the Oil & Gas Industry's Joint Supplier Registration System (JSRS)

Country of Origin: India JSRS Supplier Code: IN100505

Registration Date: 02-12-2017 Valid till: 31-01-2019




This Certificate is issued for supplying products & services to O&G and other related industries in Oman and is not valid to acquire permits from other Governmental or Non-Governmental Agencies.



EMIRERRI



Registered Office :

Office No. 23, 3rd Floor, Anand Bhavan, 290, S.B.S. Road,
Fort, Mumbai - 400 001, Maharashtra, India.

Tel. : +91-22-2261 1718

Email : emirerristeel@gmail.com / sales@emirerri.com

Web : www.emirerri.com

Factory :

11A, Bapa Sitaram Industrial Estate, Dhumal Nagar,
Vasai (E), Dist-Thane, Maharashtra, India.

Overseas Sales Office :

★ Tunis

★ Dubai

★ Maroc

★ Libya

★ France

★ Saudi Arabia

★ Zimbabwe

★ Peru

★ Mexico

★ Singapore