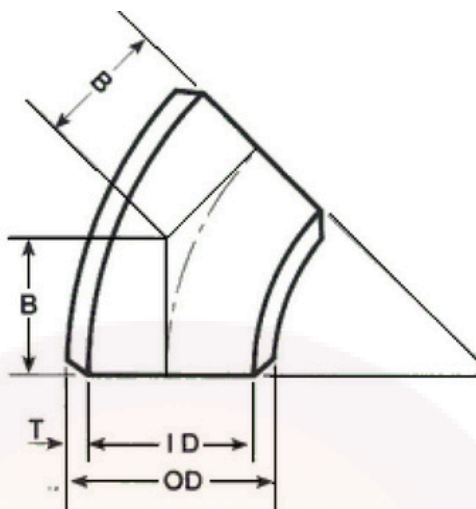


# 45-Degree Elbow Dimensions Chart



Nominal Pipe Size (NPS)	Outside Diameter (OD) mm	Long Radius (LR) Center-to-End (A) mm
1/2	21.3	16
3/4	26.7	19
1	33.4	22
1 1/4	42.2	25
1 1/2	48.3	29
2	60.3	35
2 1/2	73	44
3	88.9	51
3 1/2	101.6	57
4	114.3	64
5	141.3	79
6	168.3	95
8	219.1	127
10	273	159
12	323.8	190
14	355.6	222
16	406.4	254
18	457	286
20	508	318
22	559	343
24	610	381
26	660	406
28	711	438
30	762	470
32	813	502
34	864	533
36	914	565
38	965	600
40	1016	632
42	1067	660
44	1118	695
46	1168	727
48	1219	759